

EMCO Orifice Flanges

Principle

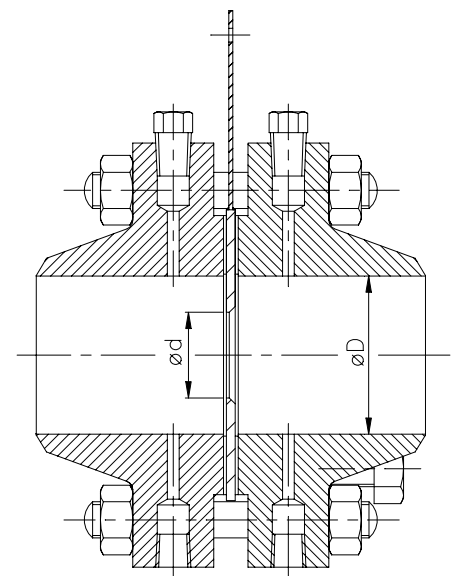
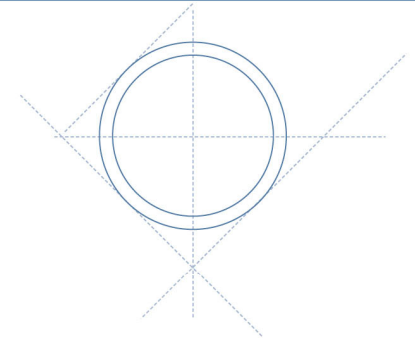
To accommodate the orifice plate and to provide the 2 pressure outtakes

Construction

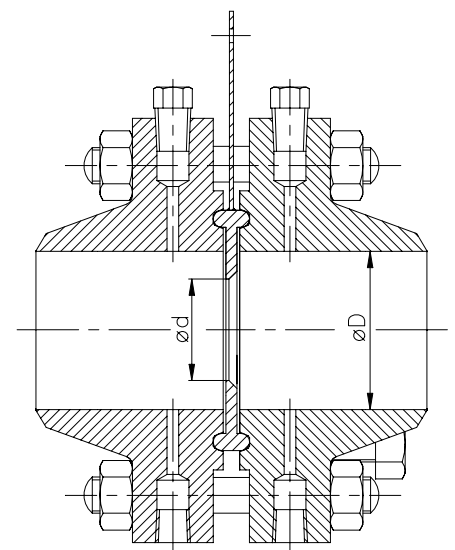
- Flange standard : ANSI B 16.36
- Sizes : 1" – 24"
- Material : carbon steel A105, A350 LF2, AISI316, Duplex, 6Mo, others on request.
- Bolts : A 193-B7, others on request.
- Nuts : A 194-2H, others on request
- Gaskets : Asbestos free, spiral wound, others on request (only for RF flanges)
- Pressure rating : 300 to 2500 lbs
- Flange facing : RF (raised face), or RTJ (ring type joint)
- Pressure tappings : ½" NPT int, others on request
- Number of tappings
In each flange : 1, more on request.

To separate the 2 flanges for inspection or removal of the orifice plate, the 2 jack screws are used. The orifice flanges shall be mounted in such a way that the jack screws are diametrically opposed.

Sizes	Pressure rating
1" – 24"	300 – 2500 lbs RF
1" – 20"	600 lbs RTJ
3" – 12"	900 lbs RTJ
1 ½" – 6"	1500 lbs RTJ
1" – 3"	2500 lbs RTJ



RF



RTJ